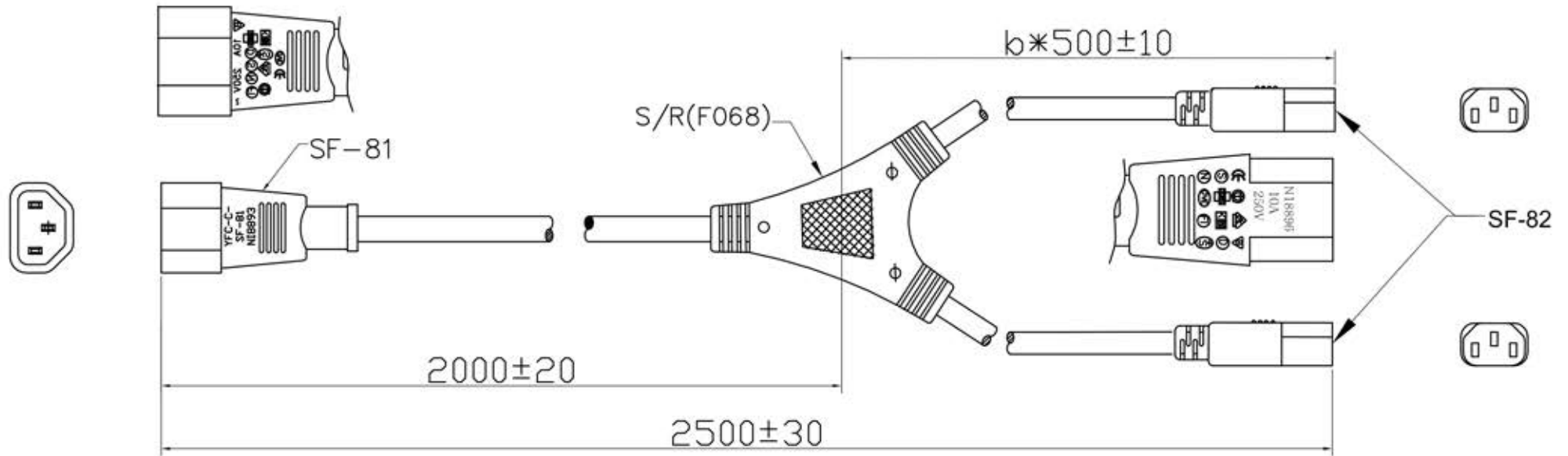
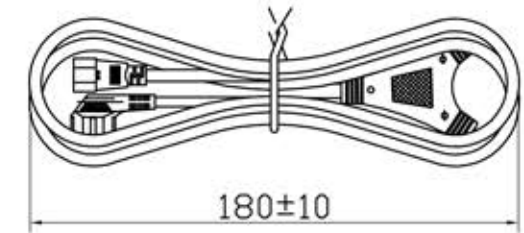


DATE	REV	DESCRIPTION	BY	CHKD
	A/0			



Conductor		Insulation			Jacket	Overall diameter
MM ²	Construction	Diameter	Min.Thick	AVG.Thick	Min.Thick	
1.0	32/0.2mm	2.5±0.05mm	0.44mm	0.6mm	0.58mm	7.0±0.1mm
0.75	24/0.2mm	2.4±0.05mm	0.44mm	0.6mm	0.58mm	6.8±0.1mm



NOTES:

- 1.PLUG:SF-81+82+S/R
- 2.WIRE: a.H05VV-F 3G1.0MM²
b*2.H05VV-F 3G0.75MM²
- 3:COLOR:BLACK
- 4:LENGTH:2500± 30MM

Unless specified on the drawing, tolerances are per the follows:
 . ± 1
 .X ± 0.2
 .XX ± 0.05



DATA COMMS DIRECT

DRAW.NO		ITEM	E481025		
DEPARTMENT	R&D	DRAW	Stone	DATE	2005.8.26
SCALE	1:1	CHECKER		APPROVAL	
UNIT	MM	SHEET	1	OF	1